

HEATING
VENTILATION
AIR CON
WATER

FUTURE VALVE TECHNOLOGY

Butterfly Valves

For Building Services Applications



PN16 and ANSI 125 rated butterfly valves for building services

Fully-lugged and universal semi-lugged flanges

Ductile iron and stainless steel discs

Two different seat liner options; EPDM and Nitrile

Available with lever or gearbox operation

Bare shaft versions for actuators available on request

 **Hattersley**™

Fig. 3850L / 3851L / 4850L / 4851L Semi-Lugged Wafer Pattern Lever Operated Butterfly Valves

FEATURES & BENEFITS

- Universal Pattern - Valves are suitable for use with flanges conforming to BS EN 1092-2 PN16 or ANSI B16.1 Class 125
- Valve generally conforms to BS EN593
- Ductile Iron and Stainless Steel Disc Options
- EPDM and Nitrile Seat Liner Options
- 420 Stainless Steel Shafts for superior strength



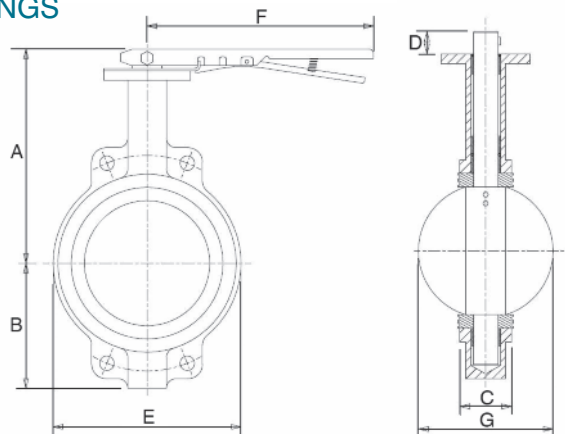
VALVE SELECTION

	EPDM Liner	Nitrile Liner
Ductile Iron Disc	3850L	3851L
Stainless Steel Disc	4850L	4851L

MATERIAL SPECIFICATION

Part	Material
Body	Ductile Iron (EN-G35-400-15)
Disc (3850L & 3851L)	Ductile Iron (EN-G35-400-15) Epoxy coated
Disc (4850L & 4851L)	Stainless Steel 304 (ASTM A351 CF8)
Liner (3850L & 4850L)	EPDM
Liner (3851L & 4851L)	Nitrile Rubber
Shaft	Stainless Steel 420 (ASTM A276 420)
Taper Pin	Stainless Steel 431 (ASTM A276 431)
O-Ring	Nitrile Rubber
Bushing	PTFE
Lever & Screw	Malleable Iron ASTM Gr.32510
Stop Plate	Mild Steel (GB700 Q235) Chromium Plated

DIMENSIONAL DRAWINGS



PRESSURE/ TEMPERATURE RATING

PN16 & ANSI Class 125
-10 to 120°C (3850L / 4850L)
-10 to 82°C (3851L / 4851L)

TEST PRESSURES: (Hydrostatic)
SHELL: 24 bar; Seat: 17.6 bar

SPECIFICATION

End connections compatible with
BS EN1092-2 PN16 & ANSI B16.1
Class 125 flanges.

Suitable for Group 2 liquids only as defined by
the Pressure Equipment Directive 97/23/EC.5

END CONNECTION: Semi-Lugged
OPERATOR: Trigger Lever
OTHER: Bare shaft options available
(Fig No. 3850B /3851B /
4850B / 4851B)
Please contact us for bare shaft top
works details.

DIMENSIONS & WEIGHTS

Nom Size	mm	50	65	80	100	125	150	200
A	mm	178	190	200	216	230	243	300
B	mm	61	72	87	106	123	137	174
C	mm	43	46	46	52	56	56	60
D	mm	32	32	32	32	32	32	45
E	mm	92	104	123	156	180	210	264
F	mm	216	216	216	265	265	265	374
G	mm	53	65	79	104	123	156	202
Weight	kg	2.1	2.4	3.0	4.3	5.9	7.3	12.0
Kv		91	141	246	585	861	1838	2687

Every effort has been made to ensure that the information contained in this publication is accurate at the time of publishing. Hattersley Ltd assumes no responsibility or liability for typographical errors or omissions or for any misinterpretation of the information within the publication and reserves the right to change without notice.

02/15/14

Fig. 3850G / 3851G / 4850G / 4851G

Semi-Lugged Wafer Pattern Gearbox Operated Butterfly Valves

FEATURES & BENEFITS

- Universal Pattern - Valves are suitable for use with flanges conforming to BS EN 1092-2 PN16 or ANSI B16.1 Class 125
- Valve generally conforms to BS EN593
- Ductile Iron and Stainless Steel Disc Options
- EPDM and Nitrile Seat Liner Options
- 420 Stainless Steel Shafts for superior strength



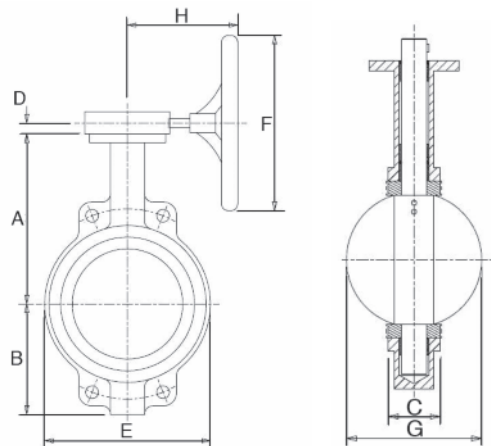
VALVE SELECTION

	EPDM Liner	Nitrile Liner
Ductile Iron Disc	3850G	3851G
Stainless Steel Disc	4850G	4851G

MATERIAL SPECIFICATION

Part	Material
Body	Ductile Iron (EN-G35-400-15)
Disc (3850G & 3851G)	Ductile Iron (EN-G35-400-15) Epoxy coated
Disc (4850G & 4851G)	Stainless Steel 304 (ASTM A351 CF8)
Liner (3850G & 4850G)	EPDM
Liner (3851G & 4851G)	Nitrile Rubber
Shaft	Stainless Steel 420 (ASTM A276 420)
Taper Pin	Stainless Steel 431 (ASTM A276 431)
O-Ring	Nitrile Rubber
Bushing	PTFE

DIMENSIONAL DRAWINGS



PRESSURE/ TEMPERATURE RATING

PN16 & ANSI Class 125
-10 to 120°C (3850G / 4850G)
-10 to 82°C (3851G / 4851G)

TEST PRESSURES: (Hydrostatic)
SHELL: 24 bar; Seat: 17.6 bar

SPECIFICATION

End connections compatible with BS EN1092-2 PN16 & ANSI B16.1 Class 125 flanges.

Suitable for Group 2 liquids only as defined by the Pressure Equipment Directive 97/23/EC.5

END CONNECTION: Semi-Lugged
OPERATOR: Gearbox
OTHER: Bare shaft options available (Fig No. 3850B / 3851B / 4850B / 4851B)
Please contact us for bare shaft top works details.

DIMENSIONS & WEIGHTS

Nom Size	mm	150	200	250	300	350	400	450	500	600
A	mm	204	247	280	324	310	340	375	425	505
B	mm	137	174	209	253	255	318	330	367	443
C	mm	56	60	68	78	78	102	114	127	154
D	mm	36	46	46	46	46	110	110	110	128
E	mm	210	264	319	374	412	482	535	586	698
F	mm	150	300	300	300	300	300	300	300	400
G	mm	156	202	250	302	334	389	441	490	592
H	mm	174	237	237	225	225	254	254	254	301
Weight	kg	12	21	28	40	48	90	111	143	223
Kv		1838	2687	4576	7069	10211	14042	18598	23914	36946

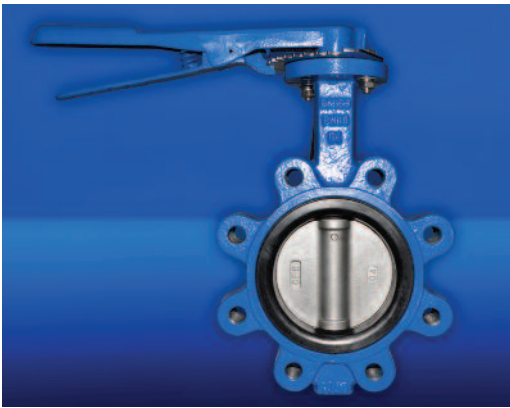
Every effort has been made to ensure that the information contained in this publication is accurate at the time of publishing. Hattersley Ltd assumes no responsibility or liability for typographical errors or omissions or for any misinterpretation of the information within the publication and reserves the right to change without notice.

02/15/14

Fig. 3870ML / 3871ML / 4870ML / 4871ML Fully Lugged Lever Operated Butterfly Valves

FEATURES & BENEFITS

- Valves are suitable for use with flanges conforming to BS EN 1092-2 PN16
- Valve generally conforms to BS EN593
- Ductile Iron and Stainless Steel Disc Options
- EPDM and Nitrile Seat Liner Options
- 420 Stainless Steel Shafts for superior strength



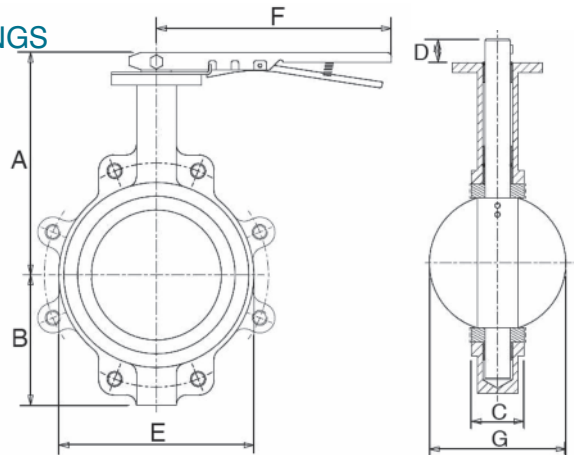
VALVE SELECTION

	EPDM Liner	Nitrile Liner
Ductile Iron Disc	3870ML	3871ML
Stainless Steel Disc	4870ML	4871ML

MATERIAL SPECIFICATION

Part	Material
Body	Ductile Iron (EN-G35-400-15)
Disc (3870ML & 3871ML)	Ductile Iron (EN-G35-400-15) Epoxy coated
Disc (4870ML & 4871ML)	Stainless Steel 304 (ASTM A351 CF8)
Liner (3870ML & 4870ML)	EPDM
Liner (3871ML & 4871ML)	Nitrile rubber
Shaft	Stainless Steel 420 (ASTM A276 420)
Taper Pin	Stainless Steel 431 (ASTM A276 431)
O-Ring	Nitrile rubber
Bushing	PTFE
Lever & Screw	Malleable Iron ASTM Gr.32510
Stop Plate	Mild Steel (GB700 Q235) Chromium Plated

DIMENSIONAL DRAWINGS



PRESSURE/ TEMPERATURE RATING

PN16
-10 to 120°C (3870ML / 4870ML)
-10 to 82°C (3871ML / 4871ML)

TEST PRESSURES: (Hydrostatic)
SHELL: 24 bar; Seat: 17.6 bar

SPECIFICATION

End connections compatible with BS EN1092-2 PN16 flanges.

Suitable for Group 2 liquids only as defined by the Pressure Equipment Directive 97/23/EC.

END CONNECTION: Fully Lugged

OPERATOR: Trigger Lever

OTHER: Bare shaft options available (Fig No. 3870MB / 3871MB / 4870MB / 4871MB)

Please contact us for bare shaft top works details.

DIMENSIONS & WEIGHTS

Nom Size	mm	50	65	80	100	125	150	200
A	mm	178	190	200	216	230	243	300
B	mm	61	72	87	106	123	137	174
C	mm	43	46	46	52	56	56	60
D	mm	32	32	32	32	32	32	45
E	mm	93	104	121	152	181	210	264
F	mm	216	216	216	265	265	265	374
G	mm	53	65	79	104	123	156	202
Weight	kg	2.9	3.4	4.8	6.5	8.5	10.5	17.1
Kv		91	141	246	585	861	1838	2687

Every effort has been made to ensure that the information contained in this publication is accurate at the time of publishing. Hattersley Ltd assumes no responsibility or liability for typographical errors or omissions or for any misinterpretation of the information within the publication and reserves the right to change without notice.

02/15/14

Fig. 3870MG / 3871MG / 4870MG / 4871MG Fully Lugged Gearbox Operated Butterfly Valves

FEATURES & BENEFITS

- Valves are suitable for use with flanges conforming to BS EN 1092-2 PN16
- Valve generally conforms to BS EN593
- Ductile Iron and Stainless Steel Disc Options
- EPDM and Nitrile Seat Liner Options
- 420 Stainless Steel Shafts for superior strength



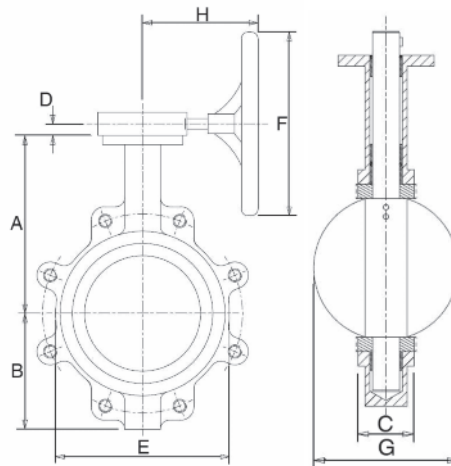
VALVE SELECTION

	EPDM Liner	Nitrile Liner
Ductile Iron Disc	3870MG	3871MG
Stainless Steel Disc	4870MG	4871MG

MATERIAL SPECIFICATION

Part	Material
Body	Ductile Iron (EN-G35-400-15)
Disc (3870MG & 3871MG)	Ductile Iron (EN-G35-400-15) Epoxy coated
Disc (4870MG & 4871MG)	Stainless Steel 304 (ASTM A351 CF8)
Liner (3870MG & 4870MG)	EPDM
Liner (3871MG & 4871MG)	Nitrile rubber
Shaft	Stainless Steel 420 (ASTM A276 420)
Taper Pin	Stainless Steel 431 (ASTM A276 431)
O-Ring	Nitrile rubber
Bushing	PTFE

DIMENSIONAL DRAWINGS



PRESSURE/ TEMPERATURE RATING

PN16
-10 to 120°C (3870MG / 4870MG)
-10 to 82°C (3871MG / 4871MG)

TEST PRESSURES: (Hydrostatic)
SHELL: 24 bar; Seat: 17.6 bar

SPECIFICATION

End connections compatible with BS EN1092-2 PN16 flanges.

Suitable for Group 2 liquids only as defined by the Pressure Equipment Directive 97/23/EC.

END CONNECTION: Fully Lugged

OPERATOR: Gearbox

OTHER: Bare shaft options available
(Fig No. 3870MB / 3871MB / 4870MB / 4871MB)

Please contact us for bare shaft top works details.

DIMENSIONS & WEIGHTS

Nom Size	mm	150	200	250	300	350	400	450	500	600
A	mm	204	247	280	324	310	340	375	425	505
B	mm	137	174	209	253	260	318	330	367	443
C	mm	56	60	68	78	78	102	114	127	154
D	mm	36	40	46	46	46	110	110	110	128
E	mm	210	264	315	374	406	470	524	580	692
F	mm	150	300	300	300	300	300	300	300	400
G	mm	156	202	250	302	334	389	441	490	592
H	mm	174	237	237	225	225	254	254	254	301
Weight	kg	15	26	34	49	63	108	140	179	274
Kv		1838	2687	4576	7069	10211	14042	18598	23914	36946

Every effort has been made to ensure that the information contained in this publication is accurate at the time of publishing. Hattersley Ltd assumes no responsibility or liability for typographical errors or omissions or for any misinterpretation of the information within the publication and reserves the right to change without notice.

02/15/14

Fig. 3870AL / 3871AL / 4870AL / 4871AL Fully Lugged Lever Operated Butterfly Valves

FEATURES & BENEFITS

- Valves are suitable for use with flanges conforming to ANSI B16.1 Class 125
- Valve generally conforms to MSS SP 67
- Ductile Iron and Stainless Steel Disc Options
- EPDM and Nitrile Seat Liner Options
- 420 Stainless Steel Shafts for superior strength



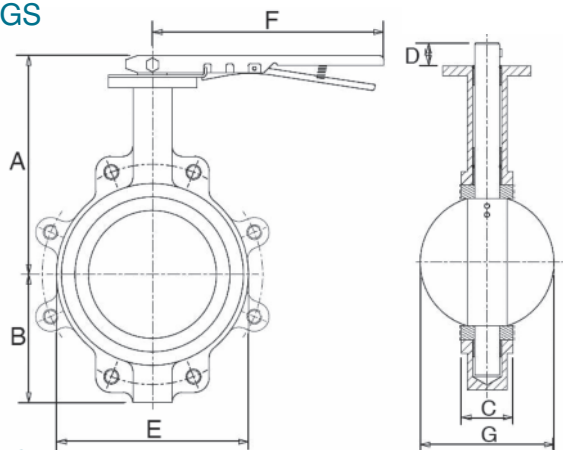
VALVE SELECTION

	EPDM Liner	Nitrile Liner
Ductile Iron Disc	3870AL	3871AL
Stainless Steel Disc	4870AL	4871AL

MATERIAL SPECIFICATION

Part	Material
Body	Ductile Iron (EN-G35-400-15)
Disc (3870AL & 3871AL)	Ductile Iron (EN-G35-400-15) Epoxy coated
Disc (4870AL & 4871AL)	Stainless Steel 304 (ASTM A351 CF8)
Liner (3870AL & 4870AL)	EPDM
Liner (3871AL & 4871AL)	Nitrile rubber
Shaft	Stainless Steel 420 (ASTM A276 420)
Taper Pin	Stainless Steel 431 (ASTM A276 431)
O-Ring	Nitrile rubber
Bushing	PTFE
Lever & Screw	Malleable Iron ASTM Gr.32510
Stop Plate	Mild Steel (GB700 Q235) Chromium Plated

DIMENSIONAL DRAWINGS



DIMENSIONS & WEIGHTS

Nom Size	Inch	2	2 1/2	3	4	5	6	8
A	mm	178	190	200	216	230	243	300
B	mm	61	72	87	106	123	137	174
C	mm	43	46	46	52	56	56	60
D	mm	32	32	32	32	32	32	45
E	mm	93	104	121	156	181	210	264
F	mm	216	216	216	265	265	265	374
G	mm	53	65	79	104	123	156	202
Weight	kg	2.9	3.4	4.8	6.5	8.5	10.5	17.1
Kv		91	141	246	585	861	1838	2687

PRESSURE/ TEMPERATURE RATING

ANSI 125
-10 to 120°C (3870AL / 4870AL)
-10 to 82°C (3871AL / 4871AL)

TEST PRESSURES: (Hydrostatic)
SHELL: 24bar; Seat: 17.6 bar

SPECIFICATION

End connections compatible with ANSI B16.1 Class 125 flanges.

Suitable for Group 2 liquids only as defined by the Pressure Equipment Directive 97/23/EC.

END CONNECTION: Fully Lugged

OPERATOR: Trigger Lever

OTHER: Bare shaft options available
(Fig No. 3870AB / 3871AB / 4870AB / 4871AB)

Please contact us for bare shaft top works details.

Every effort has been made to ensure that the information contained in this publication is accurate at the time of publishing. Hattersley Ltd assumes no responsibility or liability for typographical errors or omissions or for any misinterpretation of the information within the publication and reserves the right to change without notice.

02/15/14

Fig. 3870AG / 3871AG / 4870AG / 4871AG Fully Lugged Gearbox Operated Butterfly Valves

FEATURES & BENEFITS

- Valves are suitable for use with flanges conforming to ANSI B16.1 Class 125
- Valve generally conforms to MSS SP 67
- Ductile Iron and Stainless Steel Disc Options
- EPDM and Nitrile Seat Liner Options
- 420 Stainless Steel Shafts for superior strength



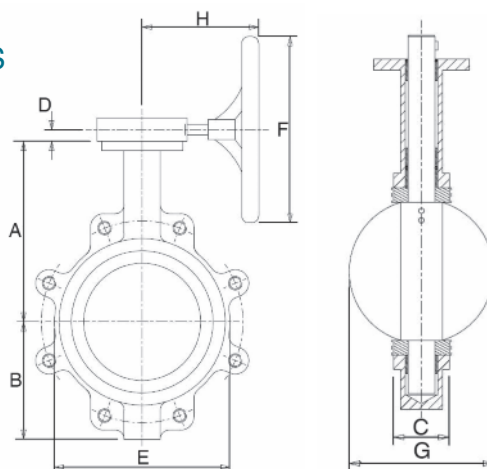
VALVE SELECTION

	EPDM Liner	Nitrile Liner
Ductile Iron Disc	3870AG	3871AG
Stainless Steel Disc	4870AG	4871AG

MATERIAL SPECIFICATION

Part	Material
Body	Ductile Iron (EN-G35-400-15)
Disc (3870AG & 3871AG)	Ductile Iron (EN-G35-400-15) Epoxy coated
Disc (4870AG & 4871AG)	Stainless Steel 304 (ASTM A351 CF8)
Liner (3870AG & 4870AG)	EPDM
Liner (3871AG & 4871AG)	Nitrile rubber
Shaft	Stainless Steel 420 (ASTM A276 420)
Taper Pin	Stainless Steel 431 (ASTM A276 431)
O-Ring	Nitrile rubber
Bushing	PTFE

DIMENSIONAL DRAWINGS



DIMENSIONS & WEIGHTS

Nom Size	inch	6	8	10	12	14	16	18	20	24
A	mm	204	247	280	324	330	340	375	425	505
B	mm	137	174	209	253	260	318	330	367	443
C	mm	56	60	68	78	78	102	114	127	154
D	mm	36	46	40	46	46	110	110	110	128
E	mm	210	264	315	374	412	482	535	586	698
F	mm	150	300	300	300	300	300	300	300	400
G	mm	156	202	250	302	334	389	441	490	592
H	mm	174	237	237	225	225	254	254	254	301
Weight	kg	15	26	34	49	63	108	140	179	274
Kv		1838	2687	4576	7069	10211	14042	18598	23914	36946

PRESSURE/ TEMPERATURE RATING

ANSI 125
-10 to 120°C (3870AG / 4870AG)
-10 to 82°C (3871AG / 4871AG)

TEST PRESSURES: (Hydrostatic)
SHELL: 24 bar; Seat: 17.6 bar

SPECIFICATION

End connections compatible with ANSI B16.1 Class 125 flanges.

Suitable for Group 2 liquids only as defined by the Pressure Equipment Directive 97/23/EC.

END CONNECTION: Fully Lugged

OPERATOR: Gearbox

OTHER: Bare shaft options available
(Fig No. 3870AB / 3871AB/
4870AB / 4871AB)

Please contact us for bare shaft top works details.

Every effort has been made to ensure that the information contained in this publication is accurate at the time of publishing. Hattersley Ltd assumes no responsibility or liability for typographical errors or omissions or for any misinterpretation of the information within the publication and reserves the right to change without notice.

02/15/14



To visit our Video Library go to:
www.youtube.com/user/hattersleyvalves



PO BOX 719, IPSWICH, IP1 9UD

HOME SALES: +44 (0)1744 458670

EXPORT SALES: +44 (0)1744 458671

FAX: +44 (0)1744 26912

EMAIL: uksales@hattersley.com

EMAIL: export@hattersley.com

www.hattersley.com



FM311
ISO 9001

- Designed and manufactured under quality management systems in accordance with BS EN 9001:2008

Every effort has been made to ensure that the information contained in this publication is accurate at the time of publishing. Hattersley assumes no responsibility or liability for typographical errors or omissions or for any misinterpretation of the information within this publication and reserves the right to change without notice.

We hope that our communications have an impact on you, but not on the environment. We have taken steps to ensure this leaflet is printed on FSC material and the paper is made by a totally chlorine free process.

H_BV_0215_V1

FUTURE VALVE TECHNOLOGY

CRANE

BUILDING SERVICES & UTILITIES

www.cranesbu.com

